

Product Specifications

Product: - PDS7035 (12V) & PDS7036 (24V)
Model: Wall Mounting remote Dimmer



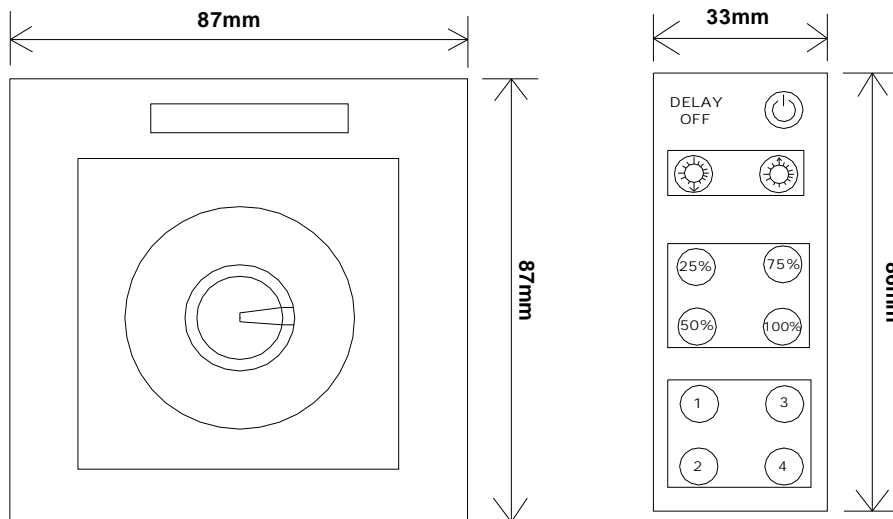
Summarisation

12-key Infrared Dimmer Is a dedicated intelligent LED lighting dimmer controls, Adopt the most advanced PWM (Pulse Width Modulation) digital dimming technology, You can manually adjust the brightness stepless. IR wireless remote control can also be used to remote dimming; Standards for commercial or home a low 86-type switch socket box installation, LED Dimmer switches can be installed to meet the light needs of commercial or home lighting in the different time and different environments, To extend the LED life span, energy saving; power and low-power LED lighting can be dimmin. Is used to control a variety of led lamps as the light source, For instance, point source of light, flexible light strip, wall washer lamp, glass curtain wall light and so on; With competitive price, easy wiring, simple to use etc.; Through the infrared remote control and dimmers on the knob to adjust brightness; Gray level 255; with custom features, delay shutdown function and a fixed grayscale output.

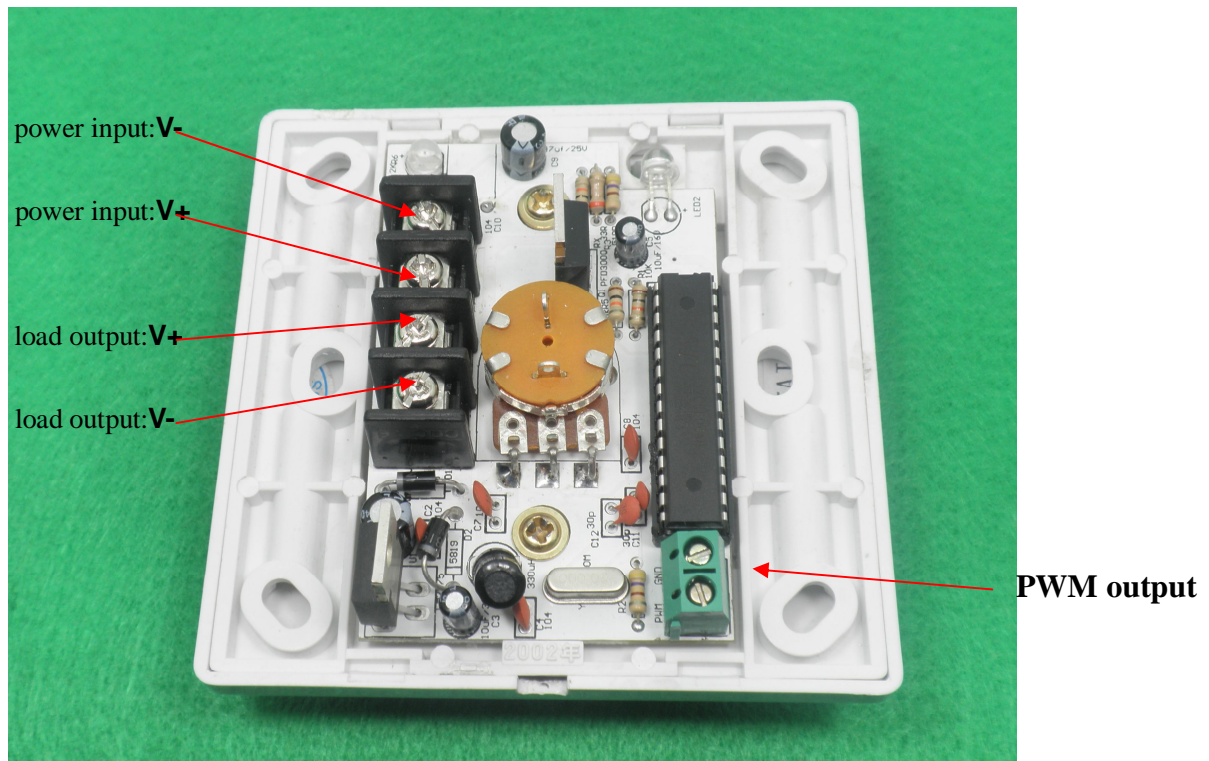
Technical parameters

- Working temperature: -20-60 °C
- Supply voltage: 5V, 12V~24V <optional> (for orders specify voltage)
- Output: 1 channels
- Controller dimension: L87jW 87jH 53mm
- Remote dimension: L86jW 33jH 7mm
- Packing size: L160 X W95 X H51mm
- Net weight: 145g
- Gross weight: 180g
- Static power consumption: <1 W
- Output current: <8 A
- Output power: 5 V: <40W, 12V: <96W, 24V: <192W

External Dimension:



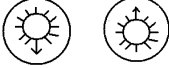

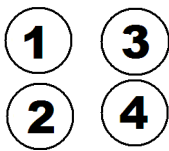


Interface Specifications



Direction for use

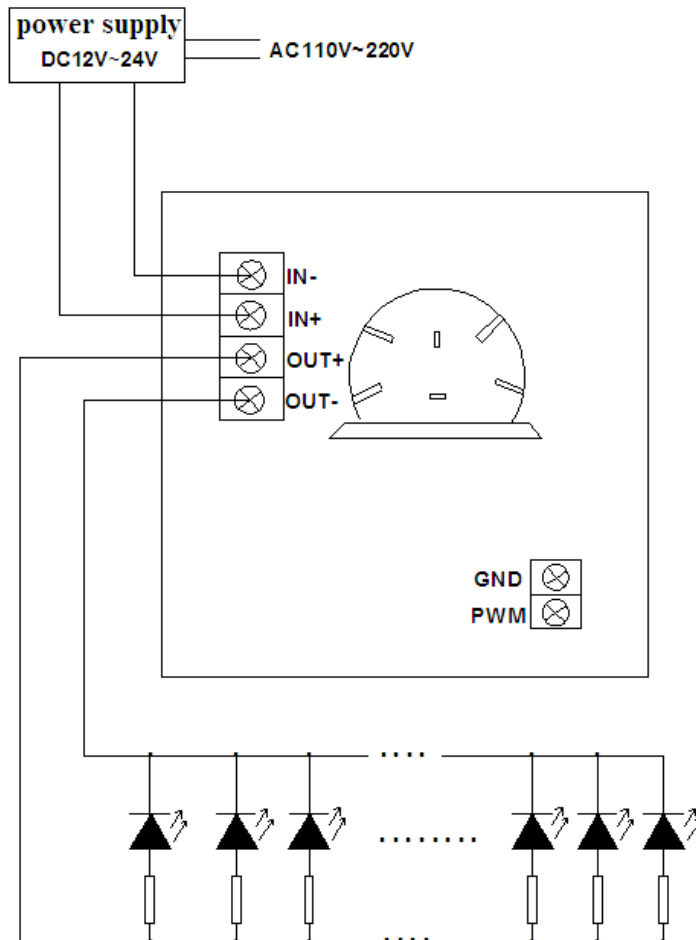
1. Connect the load wire at first, following by the power wire; **Please ensure short circuit can not occur between connecting wire before you turn on the power;**
2. When operation, the remote control facing the infrared receiver, ensure that there are no obstructions between remote controller and receiver; When dimmer receives an effective signal from the infrared remote control, the red light on the upside flickers; There are two methods in Dimming:
 - (1). Infrared remote control adjustment mode; the key features as follow(range as the keys of remote controller)

Sign	Key name	Instruction
	ON/OFF	on/off key
	DELAY OFF	Delay off key: press this key,it will close in 30S automatically.
	BRT+ BRT-	Grayscale increase and decrease key; press once, Grayscale increase two grades, there are 255grayscales in total.
	HOTKEY	Brightness shortcut key: choose the correspond brightness through pressing the four keys.
	SCENE	DIY mode keys: there are 4 keys in total, press one key for 3S, then the indicator light flicker once, it shows the current brightness has been saved in this key, the four keys are the same function. Usually press once show the previous saved brightness.

(2) Regulation resistance adjust modes:

Rotary knob clockwise to increase brightness; knob counterclockwise rotation will decrease the brightness.

Typical Applications (一):



Typical Applications (二)

